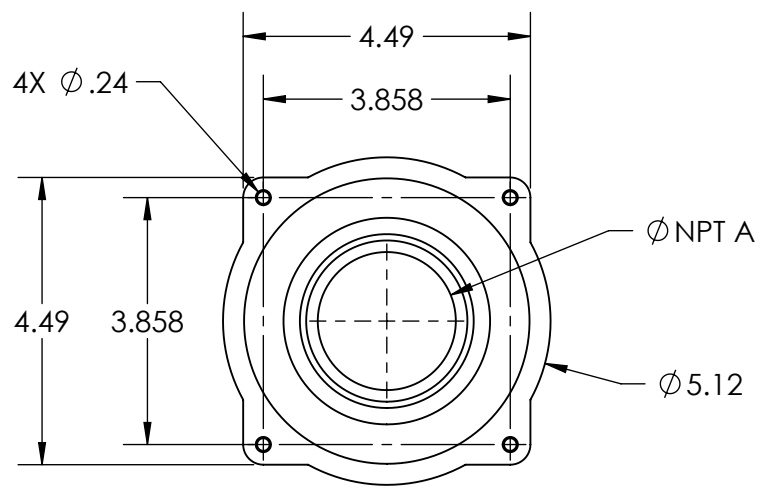
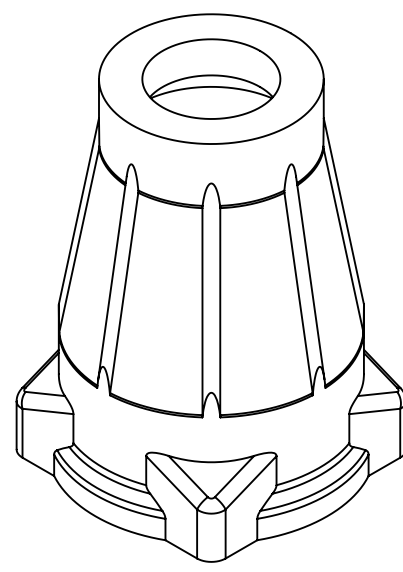
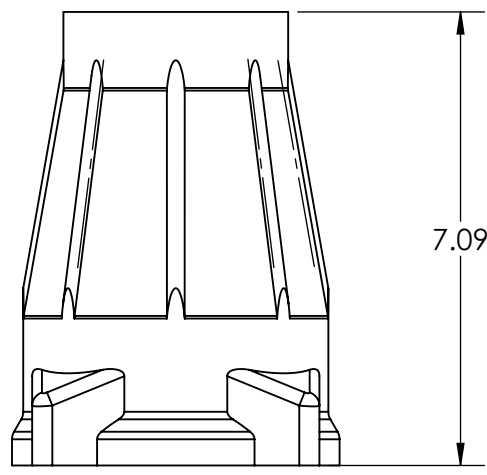


This drawing is the property of MELTRIC Corporation, Franklin (Milwaukee) Wisconsin, USA. Any unauthorized copying of this drawing by any means, or disclosure of its contents to any person not authorized by MELTRIC Corporation or its agents to receive it, is strictly prohibited. ENG/RD/06 REV: 20 ISSUED DATE: 1/15/11



PART NUMBER	NPT SIZE "A"
516PON15	1-1/2"
516PON20	2"
516PON25	2-1/2"

TOLERANCES UNLESS OTHERWISE SPECIFIED		MELTRIC A COMPANY OF MARÉCHAL ÉLECTRIC	
MACHINED SURFACES #error: broken link GROUND SURFACES #error: broken link ANGLE TOLERANCE ±1° REMOVE BURRS & SHARP EDGES TO .015 MAX.	ENGLISH 0.X ±0.05 0.XX ±0.01 0.XXX ±0.005	DRAWN: _____ APPROVED: _____ DATE: _____	DRAWING TITLE: POLY HANDLE SCALE: NTS MATERIAL: BLUE POLY
DIMENSIONS SHOWN IN OVALS ARE INSPECTION DIMENSIONS.		SHEET: 1 OF 1 PART NUMBER: 516PONxx	REVISION: _____